

**unis**

**Heated top table counter**

# **ADDA SMALL**








Operating manual

**unis**

**Dear Customer,**

Thank you for purchasing the product of the company UNIS COOL s.r.o., which is long-time successful manufacturer and supplier of a specialized range of professional refrigeration and catering equipment. We believe that with the help of this facility you will attract a lot of attention to the exhibited goods and your guests will be happy to return.

► **Symbols used in this manual**

SYMBOL	MEANING
	These symbols are the " <b>WARNING</b> " and " <b>CAUTION</b> " and point to the fact that the activity can cause damage and / or serious injury to the user.
	
	This symbol indicates an important instruction, property, process or matter, which is necessary during the servicing and maintenance of equipment comply or be aware of.
	Symbol points to useful information related to the device or accessories.
	Symbol is a reference to another section of this manual.

► **For whom is the guidance intended**

This manual is intended for all persons who come into contact with the device during the installation, operation and maintenance. Each of these persons must be thoroughly familiar with its content before beginning any activity with the device.

► **Necessary notice**

Carefully follow the instructions therein, to make the use of equipment, but also ensure its optimum use and long life.

**Do not turn-on the unit until you are thoroughly familiar with all instructions, restrictions and recommendations that are included in this manual, especially the chapter "Safety in use".**

The illustrations used in this manual may not always agree with reality; their purpose is to describe the main principles of the device.

► **If you are unsure**

In practice there are often unpredictable situations that can not be included in this instruction and described. Therefore, whenever you are not sure, contact your supplier.

When contacting the supplier or trained technician, please prepare the basic data about the device.

You can read the nameplate, located in the upper right corner of the enclosure cooling units, see the last page.

## **1 | DELIVERY**

### **1.1 | Packaging and Content Delivery**

During transport the rear sliding doors, shelf brackets and shelves are removed. Everything is packed and placed on exhibition board.

Inside the exhibition space you will find individually wrapped dismantled smaller portion of the case.

### **1.2 | Transport to the installation site**

It is recommended to transport showcase in the original packaging to the place of its installation.



*During transport of the showcase and subsequently during its establishment in the site is prohibited exert a force (push) to all glass showcases.*

When receiving the unit from forwarder visually check that the display case was not damaged during transport. Unpack also all individually packaged parts and check them. In case of any damage, contact the supplier immediately and do not install the machine. Fill the report with the driver.

### **1.3 | Storage**

If you do not unpack the showcase after delivery immediately, it must be stored under the following conditions:

1. Showcase should be kept in their original packaging in a dry and dark place.
2. Do not turn upside down nor to side the showcase. Do not place any objects on it.
3. Keep the showcase away from direct sunlight, frost and moisture. The optimum storage temperature is between +5 to +30 ° C. Humidity of storage room must not exceed 60%.

### **1.4 | Unpacking**

1. Use the suitable tool, remove all individually packaged parts and remove all reinforcing elements and packaging materials.
2. Visually check that the display case was not damaged during transport. Unpack also all individually packaged parts and check them. In case of any damage, contact the supplier immediately and do not install the machine. Fill the report with driver.
3. Remove the display case of the pallet. Due to the weight of unit we recommend to use of at least four persons for removing it.



*How to complete a showcase after unpacking can be found in section 3.2.*



*After unpacking ensure a proper disposal and recycle all packaging materials. Dispose according to the relevant law valid in showcase user's country. If you are unsure, entrust the disposal to a specialized company.*

**2 | INTRODUCTION****2.1 | Using of the showcase**

Attractive **ADDA SMALL HOT** top table counter is designed to display and maintain the temperature of heated food. Showcase allows easy installation on or into table therefore it is ideal for fast foods, pastry shops, bakeries, shops, restaurants, pumps and so on. The operation of the showcase is controlled by manual thermostat. The counter **ADDA SMALL HOT** may be performed in the **serve over** design only.



**Any use of equipment, employing in excess of this region, including modifications to security or functional elements without the permission of the manufacturer, is deemed inappropriate purpose. For any damage resulting from such an activities, the equipment manufacturer is not liable, the risk is covered by the user solely.**



**Before first run please read the chapters 3.3 and 3.4 carefully, follow the steps noted there to prevent any damage.**

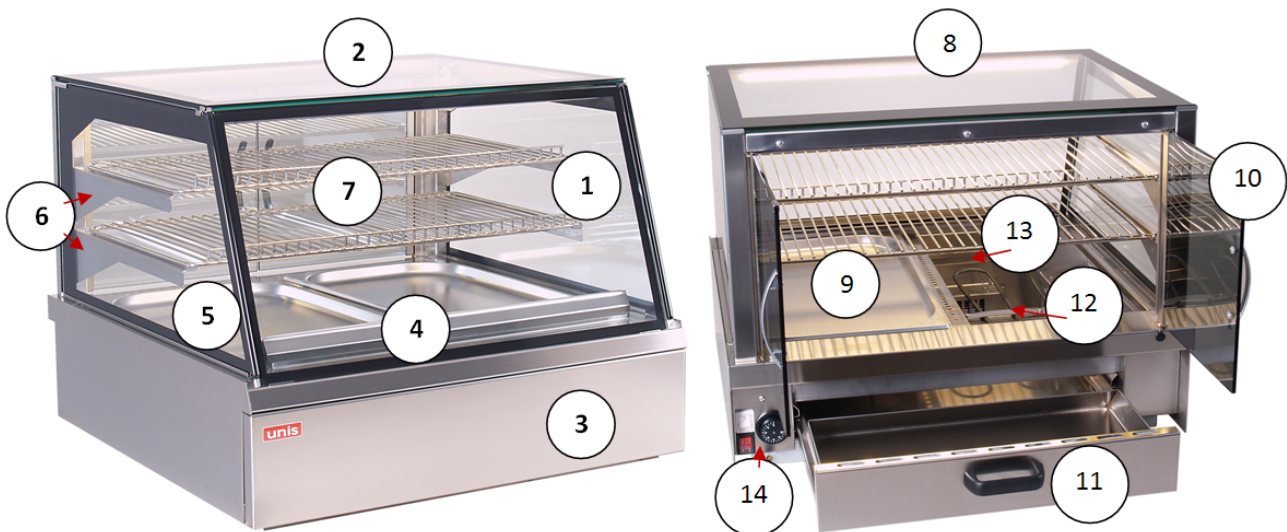
**2.2 | Improper use**

- Showcase is not intended to heat the merchandise on display.
- Showcase is not intended for permanent storage of heated goods.

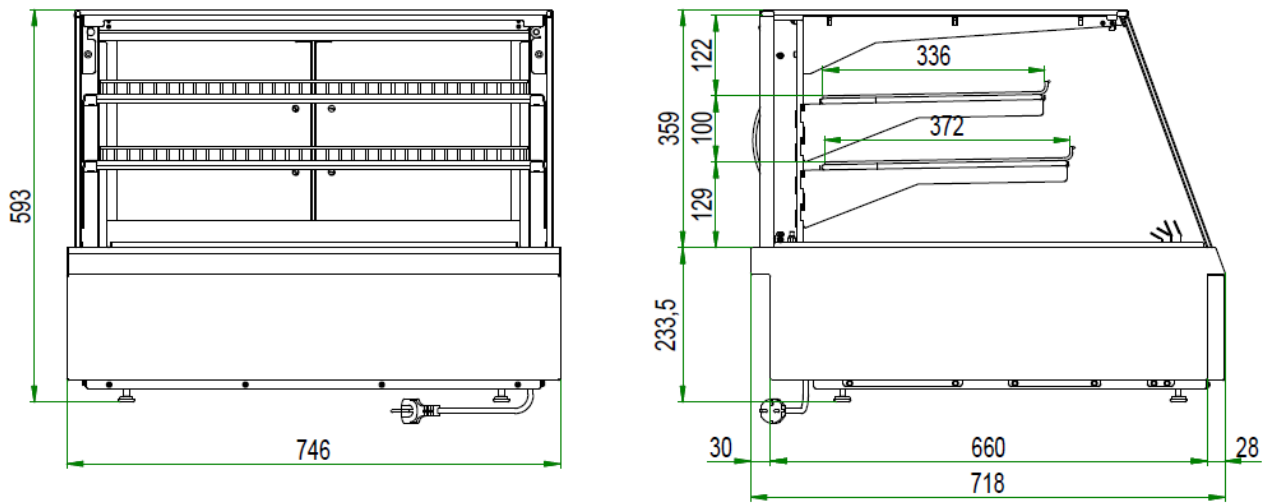
**2.3 | The main parts of the case**

The most important part of the exhibition space, which is equipped with grid shelves for arranging snacks, is lit on the front top by friendly LED light. The access to the exhibition space is possible through the back doors.

The case is equipped with a **ventilation system**, manual thermostat and water tray.



Pos.	Name	Pos.	Name
1	Front glass	9	Gastro containers
2	Top glass	10	Back doors
3	Bottom removable panel	11	Water tray
4	Front ventilation grids	12	Heating element
5	Side glass	13	Fan's grid container (inner filter)
6	Removable shelf consoles	14	Control panel
7	Removable shelf grids		
8	LED light strip		

**2.4 | Dimensions****ADDA SMALL HOT GN2**

More of technical information can be found in Chapter 9.

### 3 | BEFORE FIRST TURN-ON

#### 3.1 | Place of operation

- 1) The showcase will work correctly:
  - At the workplace with temperature from +16°C to +25 °C
  - With ambient humidity max. to 60% RH
- 2) Do not operate the showcase:
  - near the cooling nor heating sources
  - in the place where sunlight can affect operation of the unit
  - in the place with draught (from air-conditioner or near the entry)
  - near other objects which could prevent proper ventilation

#### 3.2 | Assembling



*Before assembling consider whether the unit is going to be placed on the table or dropped in the table. Model Thaya allows the installation into the furniture by removing the front bottom panel. It is necessary to keep correct dimensions when you install the unit as drop-in.*



*How to drop a showcase in table and what rules need to be met can be found in attachment "Installation into the table" at the end of this manual, page 13. If the information is missing or the guide is unclear, contact your supplier.*

- 1) Showcase should be aligned to the horizontal position by using the adjustable feet on the bottom of the display case. Align the showcase by turning the adjustable feet with wrench nr. 24. into horizontal position. After the establishment, secure the position of the feet by tightening the nut wrench nr. 17.
- 2) Insert shelf consoles.
- 3) Insert grids to shelves.
- 4) If the model is provided with sliding back doors, insert them.

#### 3.3 | Connection to the electric power

The case is designed for single-phase voltage 230V / 50 Hz. The power supply socket must be separately grounded and protected by a fuse of 10A. Other devices must not be attached to this separately fused circuit. It is necessary that the electrical connections of this showcase is protected and it complies with applicable regulations.

#### 3.4 | Before first turn-on

- 1) Visually check if all packing materials and protective foil were removed.
- 2) Clean the exhibition space, containers and shelves with a slightly damp cloth and a suitable detergent.
- 3) Dry the surface of washed surfaces with a dry cloth.
- 4) The tray located at the rear portion of the case bottom, see chapter 2.3, position 4, should be loaded by approx. 3 liters of hot (50-60°C) water BEFORE start. The water evaporates during operation and moistens the inner space of case (mitigates drying on display).



**Check the water level in the tank periodically to avoid its complete evaporation. The showcase can NOT be used WITHOUT WATER!**

- 5) Heat the interior properly, see chapter 5.2 Turn on.

## 4 | SAFETY IN USE

For personal safety when operating equipment is mainly responsible the operator. Manufacturer of the showcase is not responsible for personal injury or property damage and environmental damage caused while the unit is not used and serviced in accordance with the instructions for operation and maintenance and the applicable safety regulations.

### 4.1 | In general

- ! Showcase may be used by the **trained personnel only**. Never allow anyone, who is not authorized to use the display case and is not familiar with its functions, to manipulate it, carried its maintenance or other activities contrary to its intended use. Such improper operation may result in injury or damage the device.
- ! Showcase may be used only for their intended purpose and in accordance with the instructions. Any other use is in contrary with its purpose and it is considered as dangerous.
- ! For safety reasons, do not remove the cover or attempt to get into the case. There are no parts which you, as the user, can manipulate. Repair of any faults and maintenance, beyond that described in this manual, must be carried out by qualified service technicians.
- ! Do not block the ventilation holes of the equipment.
- ! Before use, check the exhibition space. Remove the remnants of food, unremoved cleaners, protective foil or other objects and clean the exhibition space thoroughly.
- ! Do not place the device on or near ignitable sources.
- ! Check the correct positioning and securing of shelves. Incorrect placement of shelves may lead to fall and cause injury.

### 4.2 | While using the showcase

- ! If the device is damaged in any way, turn it off immediately, unplug it from the power supply and contact your supplier.
- ! Operate the control panel buttons by using fingers exclusively. Using sharp, pointed or other objects to control the device will affect the warranty of equipment.
- ! Ensure that the load of shelves and exhibition space does not exceed the maximum permissible load (Chapter 5.4).
- ! When opening showcase do not press on the glass surface and do not use excessive force. Glass can break and cause injury.



***Always be aware of touching heated internal parts of the showcase without proper tools, ie hands protection.***

### 4.3 | After working with a showcase

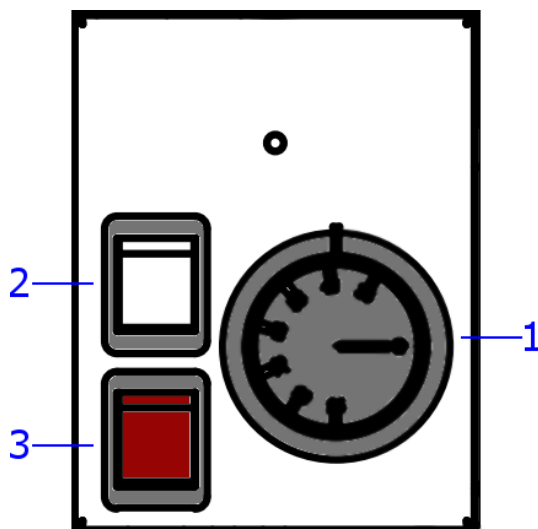
- ! For cleaning, use only non-aggressive cleaning agents.
- ! For cleaning, do not use sharp objects.
- ! Never use water stream, there is a risk of electrical short circuits. Clean only with the damp cloth.
- ! During periods of disuse device, turn off the power supply.

### 4.4 | Electrical safety

- ! If there is any damage to the electrical parts of the equipment, it is necessary to ensure the immediate repair. The damaged equipment must not be operated.
- ! Do not damage, alter or bend the power cord excessively. Do not tighten it and avoid its twisting. Placing heavy objects on the power cord and other compression may result in electric shock or fire.
- ! Use a single dedicated AC socket only. Do not use extension cords or multiple sockets, can cause overheating and electric shock or fire.
- ! The device is intended for indoor use only. It must not be exposed to rain, there is a risk of electric shock.
- ! If the installation of showcase in a moist environment is unavoidable, install a circuit breaker with effective protection against current leakage. If the circuit breaker is not installed, there is a risk of electric shock.

## 5 | OPERATION

### 5.1 | Control panel



- 1 - Thermostat – temperature set button
- 2 - Light (white)
- 3 - Main switch (red)

### 5.2 | Turn on

- 1) Connect the power supply to the display case.
- 2) Turn on the main switch (**3**).
- 3) Set the demanded temperature by the thermostat button (**1**).
- 4) Turn on the light (**2**).



*Let the empty showcase run for at least one hour or until the desired temperature is reached. The food should be inserted after the requested temperature is reached.*

After turning on the device starts heating the elements and the fans start to begin circulate heated air through the front exhaust vents in the exhibition space up to the highest shelf. Heated air is thus injected into all display levels toward the rear doors. The air is sucked through grids disposed at sides of the exhibition area and to the evaporator, where it is heated for further circulation.



**The water from tray evaporates during operation due to heat and moistens the inner space of case (mitigates drying on display). Check the water level in the tank periodically to avoid its complete evaporation. The showcase can NOT be used WITHOUT WATER!**

### 5.3 | Setting

#### ► Temperature adjusting:

If the set temperature is not suitable, adjust it with slow turn of the thermostat button (**1**) in appropriate direction.



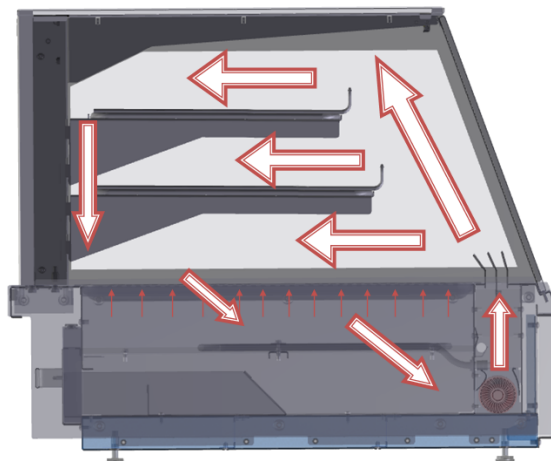
#### 5.4 Placing of goods in the display case

The showcase is not designed for heating goods, but to maintain the temperature of pre-heated food during its presentation in the display case. Food, whose temperature is lower or extremely higher than the temperature inside the display case, may not be placed in the unit.

Place the goods on the shelves and in containers, so that:

- between pieces on shelves is a **gap of at least 1 cm**
- goods do **not exceed the edges of shelves nor containers**
- **total weight** of the goods on one shelf **does not exceed** the carrying capacity **per shelf (10 kg)**

**Improper storage** of goods slows the circulation of air inside the display case and **raises its temperature.**



*The front exhaust and side vents must not be covered by goods or other items!*

*Also, the space between the containers, shelves and the rear sliding door must remain free - goods shall not exceed the edges of the shelves nor containers!*

When loading and unloading goods, open and close the door as quickly as possible to shorten the length of time that the door is open, to prevent leakage of heated air (ie cooling the interior of unit).

#### 5.5 Turn off

- 1) Turn off the light **(2)**.
- 2) Turn off the main switch **(3)**.
- 3) Disconnect the showcase from power supply.
- 4) Remove all the goods and after the unit is cooled, clean the showcase, see **■ 6.1** Daily maintenance.
- 5) To prevent mold and unwanted odors, leave the door open to dry up the exhibition space completely.



***Always be aware of touching heated internal parts of the showcase without proper tools, ie hands protection.***

## 6 | MAINTENANCE

Showcase does not require any special maintenance. However, it must be kept clean and remove the residues of exhibited goods and other contaminants.

Instructions for maintenance are obligatory to follow, otherwise void the warranty. Just regular maintenance windows and following all instructions is to ensure its long life and trouble-free function.

*Before starting any maintenance or service work the showcase must be disconnected from the electricity supply by pulling the power plug from the socket, otherwise there is a danger of electric voltage!*

*Before starting any maintenance or service work the responsible person must be thoroughly familiar with all instructions, prohibitions and recommendations contained in chapter 4.*



*Damage caused by improper cleaning and maintenance is not covered by warranty.*

*Elements that were set by the manufacturer or authorized service agent must not be adjusted by the user.*

***Do not clean the unit while it is hot to prevent burns and unwanted chemical reaction!***

### Plan of maintenance:

INTERVAL	PART	ACTION	DETAILS
Daily	Exhibition space, shelves, containers and glass	Cleaning	■ ■ 6.1
Weekly	Inner space, fan's grid container, water tray	Cleaning	■ ■ 6.2
Regularly	The power supply cable	Control	■ ■ 6.3
	Space around and under unit	Cleaning	

### 6.1 | Daily maintenance

**Daily clearing of exhibition space** from the remnants of the exhibited goods includes:

- Disconnecting the device from power supply.
- Emptying showcase to reach room temperature inside.
- Sweeping or vacuuming of the crumbs.
- Removing and cleaning the containers.
- Washing with damp cloth or towel.



*When cleaning, do not use aggressive cleaning agents or sharp objects. The abrasive and corrosive liquids are not allowed!*

*Never use water stream when cleaning inside and outside parts of unit, there is a risk of electrical short circuits and electric shock.*

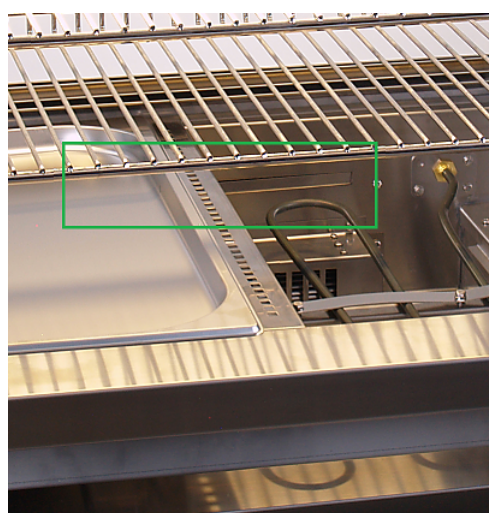
- If it is necessary to polish the front glass and rear doors by ordinary detergent, leave the door open to exhibition space until the showcase dries up completely to prevent mold and unwanted odors.

### 6.2 | Weekly maintenance

- Disconnect the showcase from power supply.
- Empty showcase and let it reach room temperature.
- Remove the containers and water tray.
- Clean entire inner space and unit components (eg. containers, water tray, vent strips).
- Clean the protective grid of fan. The removable grid container is located above the fan from inside of unit (see the picture). Do not forget to put the grid back after cleaning.



*Never use wire brushes and other sharp objects that could damage the grids or stainless steel plates.*



**6.3 | Regular maintenance**

Dirt can impede the exchange of heat between the unit and the environment, which causes an increase in electricity consumption and shortens the life of the equipment. Thus, **each month clean the space under and around unit.**

Regularly check the **power cable**:

- Pull out the cord from the power supply socket.
- The cable must be in perfect condition, unbroken and untwisted. If there is any damage it must be repaired or replaced by a qualified person immediately.

**6.4 | Troubleshooting**

PROBLEM	CHECK
<b>The unit does not heat</b>	<ul style="list-style-type: none"> <li>▶ Is not the current supply interrupted?</li> <li>▶ Is not the power cord damaged?</li> <li>▶ Is not the plug of power cord pulled out of the power supply socket?</li> <li>▶ Are not the fuses or circuit breaker blown?</li> </ul>
<b>Showcase heat a little</b>	<ul style="list-style-type: none"> <li>▶ Is the correct temperature set?</li> <li>▶ Are not the circulation of heated air or intake grids blocked by goods?</li> <li>▶ Are not the goods too close together?</li> <li>▶ Are not the doors opened or their opening frequency too high?</li> <li>▶ Are not the fan grids or front vents clogged with dust or other impurities?</li> </ul>
<b>Showcase produces excessive noise</b>	<ul style="list-style-type: none"> <li>▶ Are all adjustable feet in contact with the floor?</li> <li>▶ Are not other devices contiguous or follow too closely of the unit's furniture? Does not the unit vibrate too much?</li> <li>▶ Is not the showcase in contact with other unwanted objects?</li> </ul>
<b>On the outer surface of the case is condensation (water)</b>	Condensation on the outer surface of the display case can occur during cold, humid day, or depending on the site of installation. It occurs when there is high humidity of ambient air and water from the cold air is coming into contact with hot surfaces. This is normal. In this case, wipe the showcase with a dry cloth.
<b>The inner surface is covered by enormous condensation</b>	Before putting in it is recommended to keep the food which have been taken out from combi oven or pot outside for some time. Any hot food produce steam and it may condensate on inner glass.
<b>Showcase works, but light does not light</b>	<ul style="list-style-type: none"> <li>▶ Are the the lights on? (control panel, button 2)</li> <li>▶ Is the LED strip or its cable damaged? If so, contact service.</li> </ul>

If you meet the above conditions and showcase still does not work, unplug showcase from the power supply and call your supplier.

**Power failure:**

*Showcase turns on automatically after a power failure.*



*The showcase can be repaired by the authorized service only. **In case of improper or unauthorized service warranty does not apply!***

## 7 | SPARE PARTS AND WARRANTY

### 7.1 | Spare parts

For information about spare parts, please contact your supplier.

### 7.2 | Warranty

The warranty does not cover damage or disruptions caused by incorrect operation, disregarding this instruction manual, using harsh chemical cleaning agents and improper cleaning of the device. The warranty excludes damages resulting from improper installation, which is not in accordance with the manufacturer's recommendations, factually incorrect repairs as well as defects which have been caused by foreign intervention or force majeure.

## 8 | DISPOSAL

Once the service life of showcase expired, it must be properly disposed of.



During the disposal of the showcase and its parts, the operator is obliged to follow the procedure under Art.8 REGULATION OF THE EUROPEAN PARLIAMENT AND COUNCIL REGULATION (EU) No. 517/2014.



Components better be disposed of at the site, which is specialized and thus will be possible to recycle the materials.



*The device nor its parts must not be discarded in the municipal waste!*

*The unit contains electric components, which can cause harm to the environment or health in case of improper disposal.*

## 9 | TECHNICAL INFORMATION

### 9.1 | Technical data

GN2	
<b>Dimensions (mm)</b>	746 x 718 x 592
<b>Grid shelves</b>	2
<b>Gastro containers</b>	2 x GN 1/1 20mm
<b>Temperature (°C)</b>	+30 / +90
<b>Voltage (V/Hz)</b>	230 / 50
<b>Power (W)</b>	2100
<b>Consumption kWh/24h</b>	29,2
<b>Weight (kg)</b>	69



### 9.2 | Production plate

*Sample label*

**1** ..... **Unis cool**

**2** ..... Na Bašticí 201 Staré Město 73801 Frýdek - Místek      Tel.: 558 655 211

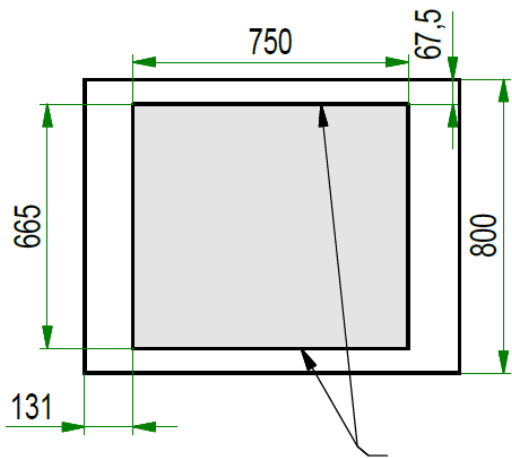
<b>3</b> ..... Typ <b>Cube II 1000 Inox</b>	<b>CE</b>	<b>4</b> ..... Výrobní číslo XXXXXXXXXXXX
--	-----------	--

Napětí ..... <b>230</b> ..... V~	Proud ..... <b>4,5</b> ..... A
Frekvence ..... <b>50</b> ..... Hz	Příkon osvětlení ..... <b>2x21</b> ..... W
<b>5</b> ..... Klimatická třída <b>3</b>	Množství ..... <b>0,25</b> ..... Kg
Chladivo ..... <b>R 134a</b>	Celková hmotnost <b>200</b> ..... Kg
Kompresor ..... <b>GP 16 TB</b>	

**6** ..... Datum ..... **22.2.2014**

Pos.	Name	Pos.	Name
1	Producer	4	Serial number
2	Contact	5	Technical data
3	Model	6	Production date

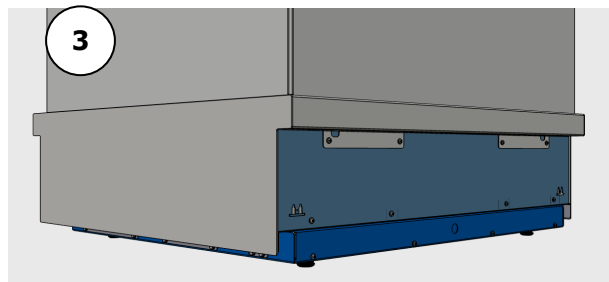
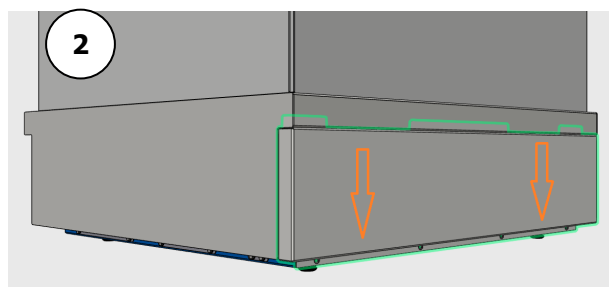
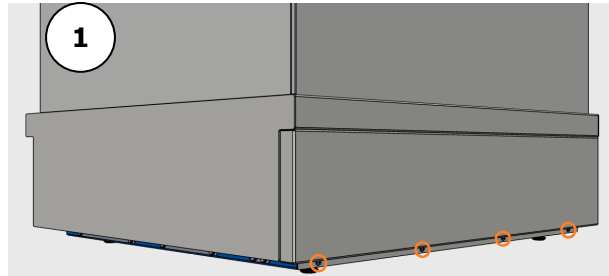
**UNIS COOL, s.r.o.**  
 Na Bašticí 201  
 739 01 Staré Město  
 District Frýdek-Místek  
 Czech Republic  
 Tel: +420 558 655 211  
 Fax: +420 558 655 104  
 E-mail: [info@uniscool.cz](mailto:info@uniscool.cz)  
[www.uniscool.cz](http://www.uniscool.cz)

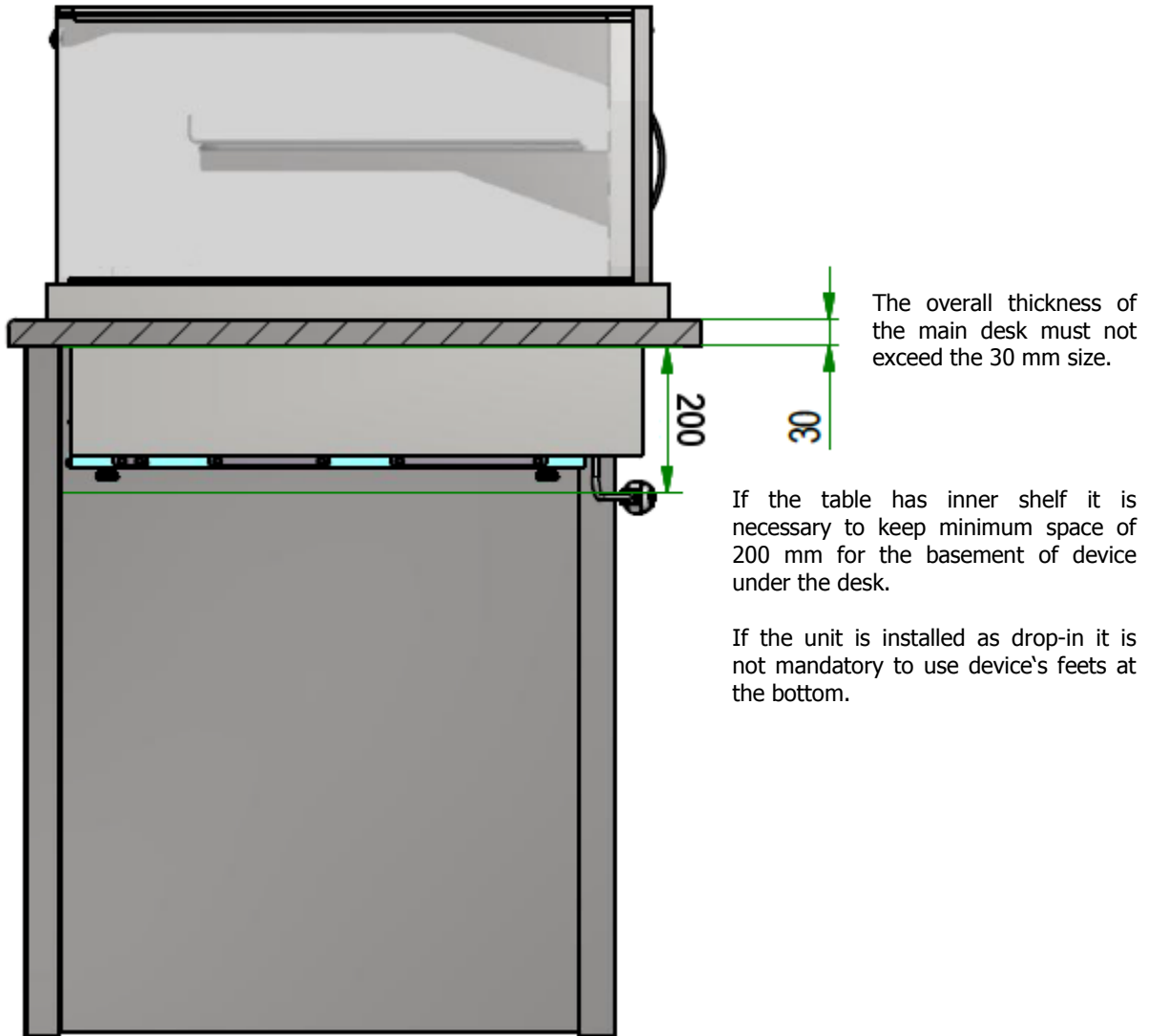
**A | INSTALLATION INTO THE TABLE****A.1 | GN2****Hole recommended dimensions: 750x665 mm**

Front and rear inner edges

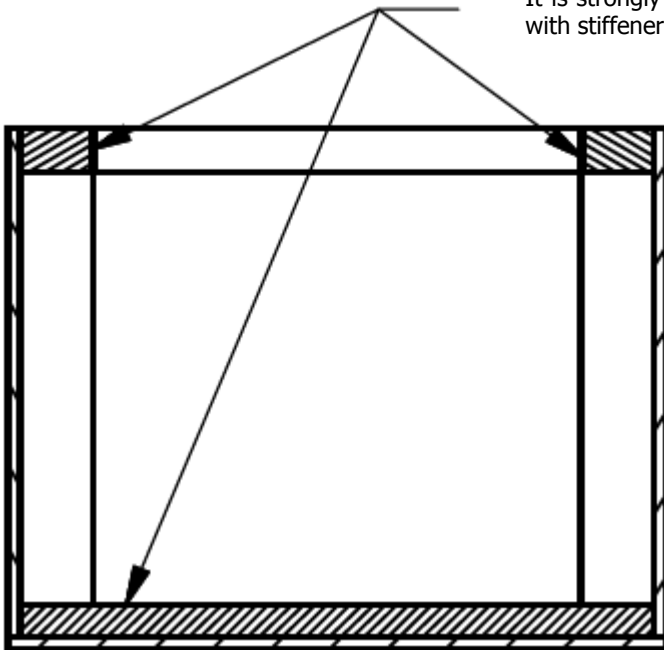
How to remove front panel in 3 steps:

- 1) Unscrew bolts below front panel
- 2) Remove panel by pulling it down
- 3) Now the unit is ready to be used as drop-in





It is strongly recommended to reinforce the desk of table with stiffeners below.



Please be advised that each unit weights approx 70 Kgs.

It is important to use durable materials for table construction.

If you are unsure what material or construction use, contact your supplier.